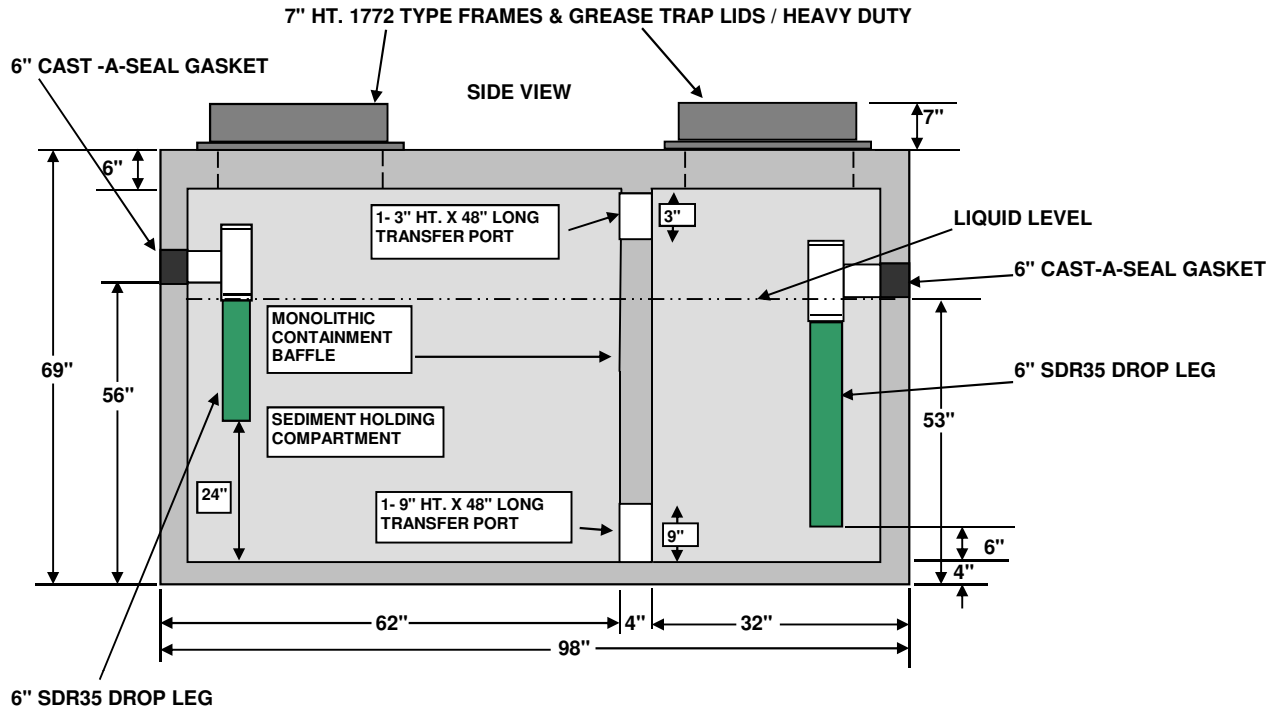


MCCREARY CONCRETE PRODUCTS, INC.
 RUSHVILLE & TIPTON, INDIANA
 765-932-3058 OR 765-675-1982



1000 GALLON COMMERCIAL GREASE/OIL/SEDIMENT
 INTERCEPTOR H2O LOAD BEARING
 2 - COMPARTMENT
 TRAFFIC RATED
"FORT WAYNE SPECIFICATION"



NOT TO SCALE

STRUCTURE WEIGHT 10854 LBS.

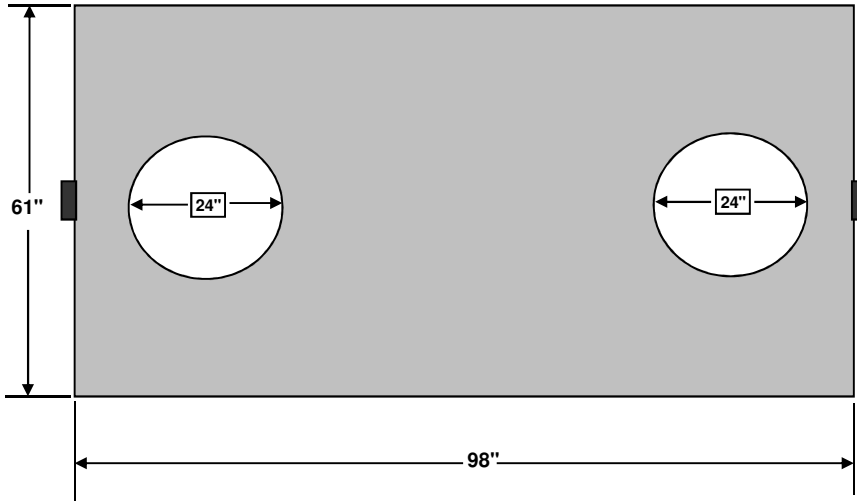
DCS362013

MCCREARY CONCRETE PRODUCTS, INC.
RUSHVILLE & TIPTON, INDIANA
765-932-3058 OR 765-675-1982



1000 GALLON COMMERCIAL GREASE/OIL/SEDIMENT
INTERCEPTOR H2O LOAD BEARING
2 - COMPARTMENT
TRAFFIC RATED "FORT WAYNE SPECIFICATION"

TOP VIEW



NOT TO SCALE

STRUCTURE WEIGHT 10854 LBS.

DCS362013