

MCCREARY CONCRETE PRODUCTS, INC.
 TIPTON, INDIANA
 765-932-3058

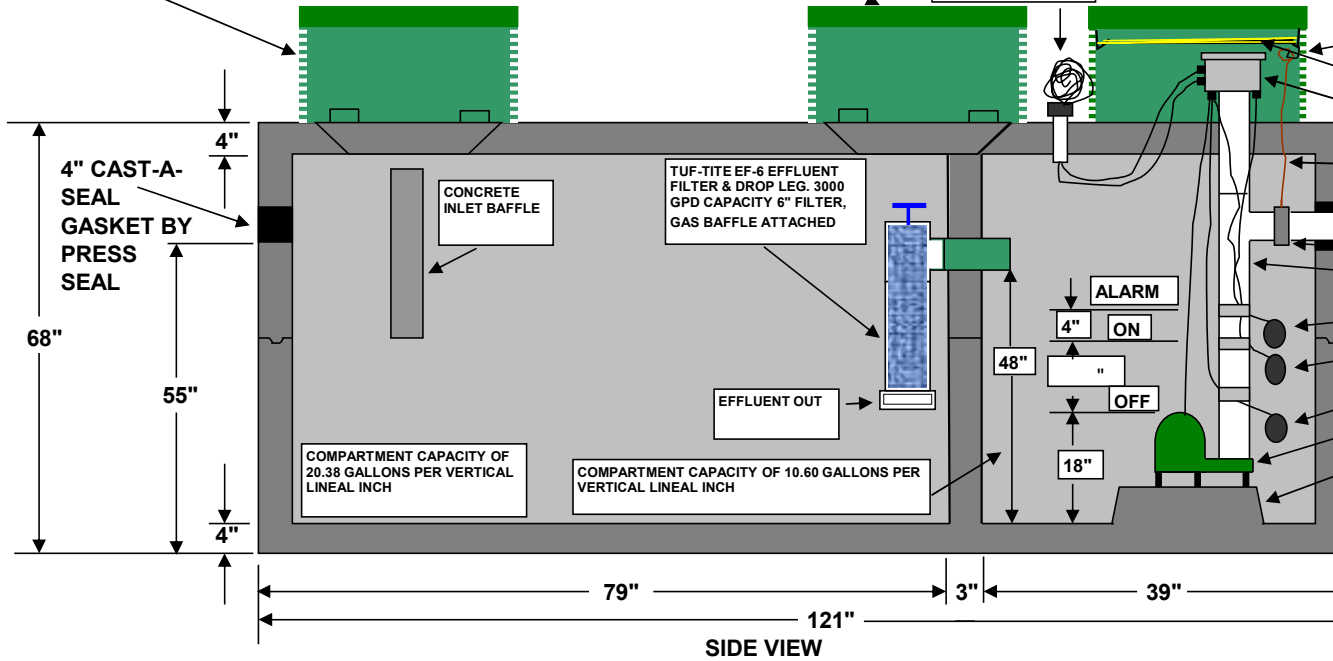


1500 GALLON, 2 COMPARTMENT CONSTRUCTION
 SEPTIC TANK - SIMPLEX DOSE TANK COMBINATION
 NON TRAFFIC RATED, 2' EARTH COVER MAXIMUM
 RESIDENTIAL

24" DIAMETER POLY SAFETY PANS WITH CONCRETE SECONDARY LIDS
 CAST IN TOP SLAB WITH 12" HT. RISERS AND 24" DIAMETER POLY LIDS
 GASKETED WITH STAINLESS STEEL SCREWS.

24" DIAMETER POLY RISER CAST IN TOP SLAB WITH 5" HT. POLY
 SAFETY PAN AND SAFETY NET, 24" DIAMETER POLY LID GASKETED
 WITH STAINLESS STEEL SCREWS.

LIQUID TIGHT CORD
 CONNECTORS, WIRE
 LEADS & CAST IN
 CONDUIT



- POLY SAFETY NET
- NEMA 4X HINGED JUNCTION BOX
- STAINLESS PUMP LIFT OUT CABLE
- STAINLESS STEEL PIPE CLAMP
- 2" CAST-A-SEAL PIPE GASKET
- 2" SCH80 O-RING UNION DISCONNECT
- 2" SCH40 PIPING ASSEMBLY
- ALARM SENSOR FLOAT
- ON CONTROL FLOAT
- OFF CONTROL FLOAT
- EFFLUENT PUMP
- 6" HT. MONOLITHIC PUMP PAD

NOT TO SCALE

STRUCTURE WEIGHT 14054 LBS.

BLG02022021

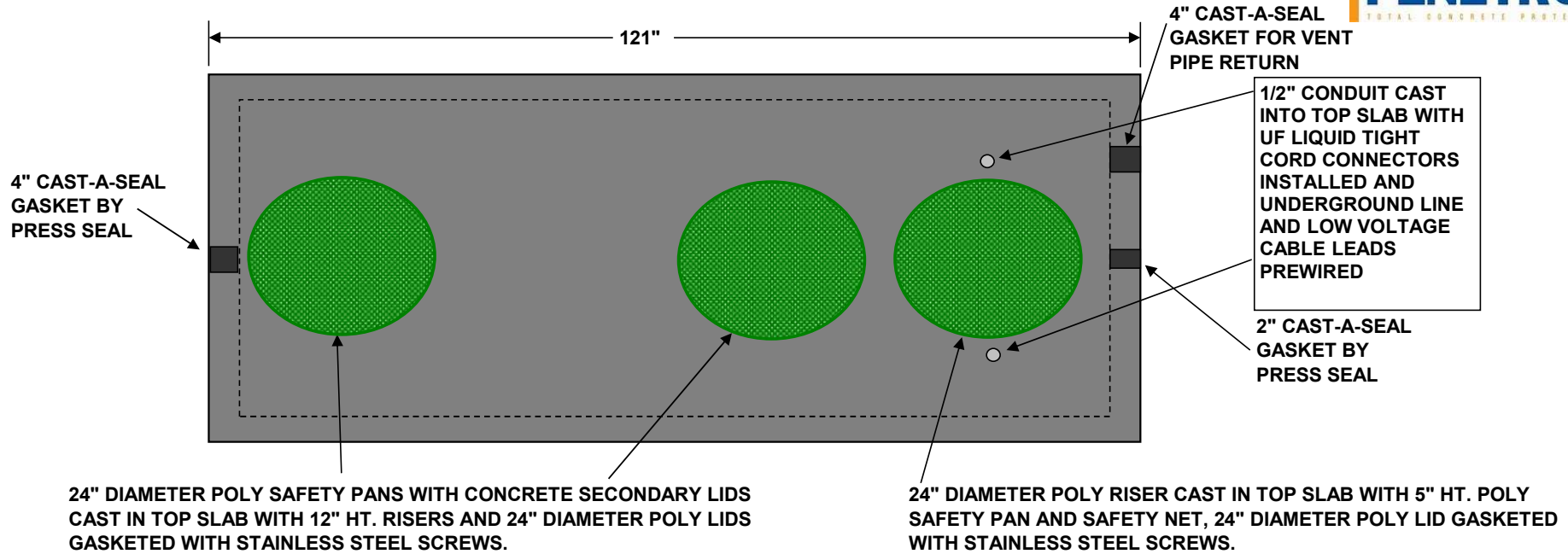
MCCREARY CONCRETE PRODUCTS, INC.
TIPTON, INDIANA
765-932-3058



1500 GALLON, 2 COMPARTMENT CONSTRUCTION
SEPTIC TANK - SIMPLEX DOSE TANK COMBINATION
NON TRAFFIC RATED, 2' EARTH COVER MAXIMUM
RESIDENTIAL



TOP VIEW



NOT TO SCALE

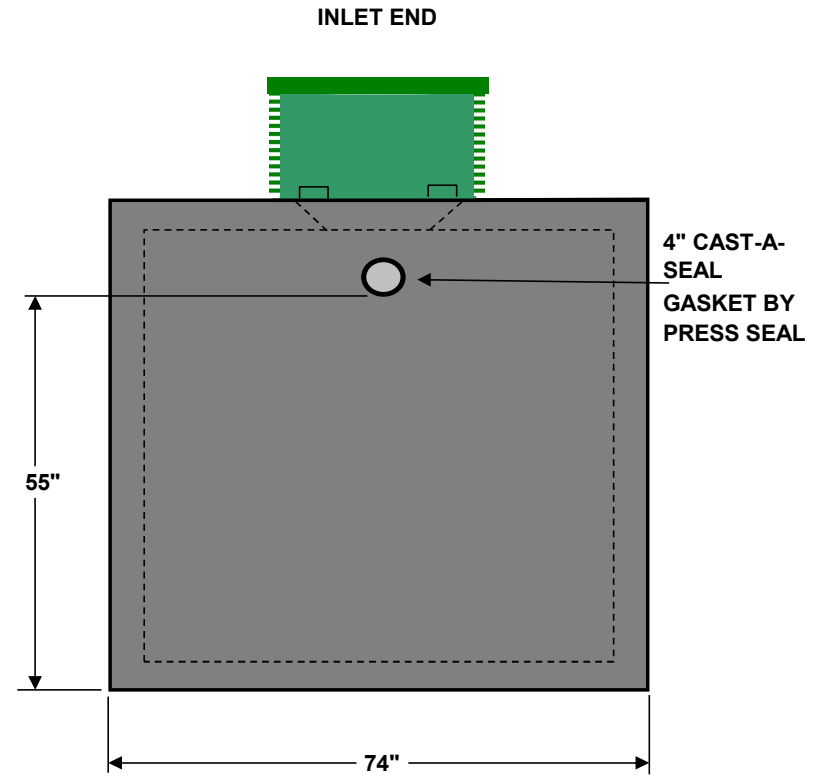
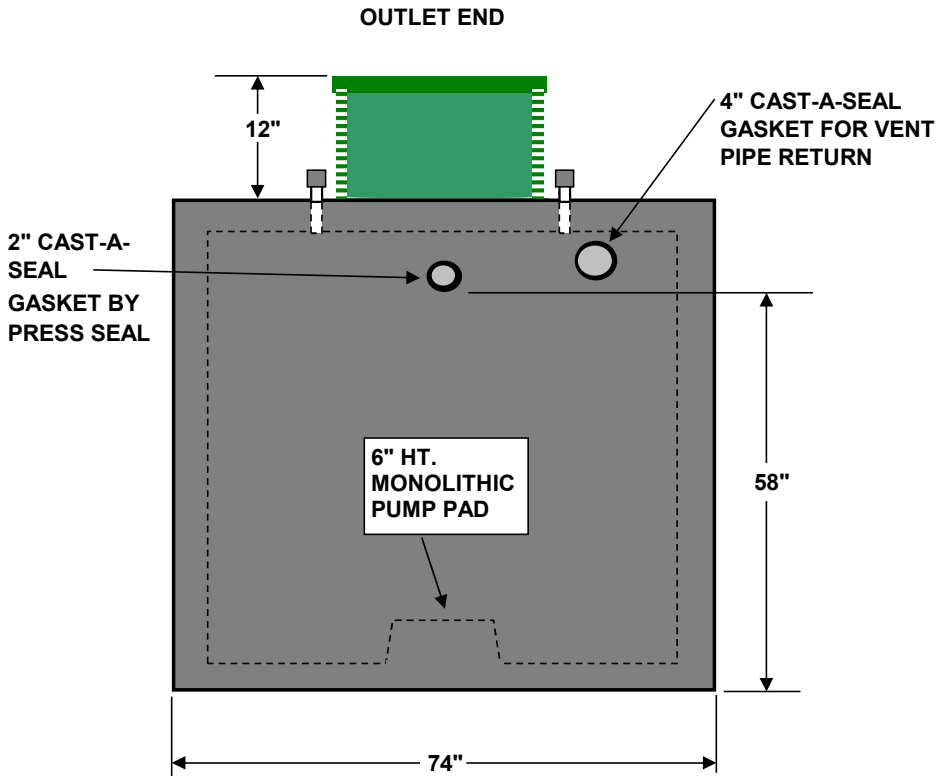
STRUCTURE WEIGHT 14054 LBS.

BLG02022021

MCCREARY CONCRETE PRODUCTS, INC.
TIPTON, INDIANA
765-932-3058



1500 GALLON, 2 COMPARTMENT CONSTRUCTION
SEPTIC TANK - SIMPLEX DOSE TANK COMBINATION
NON TRAFFIC RATED, 2' EARTH COVER MAXIMUM
RESIDENTIAL



NOT TO SCALE

STRUCTURE WEIGHT 14054 LBS.

BLG02022021